



Capacity

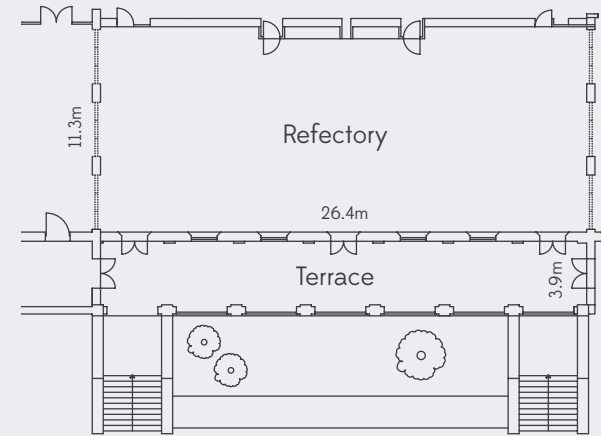
Banquet	220
Cabaret	160
Classroom	120
Theatre	320
Cocktail	500

Room Specifications

Floor Area	298m ²
Length	26.4m
Width	11.3m
Height	8.2m

Facilities

High speed Wi-Fi
Data projector
Lectern with microphone
Lapel microphone
In-house PA System



Refectory

A setting with sky-high ceilings, French windows, heritage wood panelling and an impressive feature mural to get your guests talking.

With a floor area of 298 square meters, this space can hold from 220 guests banquet-style, to 500 in a cocktail setup. Keep guests comfy with temperature control and amplify your event with all the mod-cons including, high-speed Wi-Fi, data projector, lectern with mic, lapel mic and an in-house PA system.